

# 3S-MC-M-PT1000

Multi PT1000 Modbus Converter



## Multi PT1000 Modbus Converter

The Multi PT1000 Modbus Converter is part of the SEVEN product range, which includes professional and intelligent measuring devices for environmental and industrial applications such as PV plants.

Up to 8 pcs PT1000 temperature sensors can be connected to a Multi PT1000 Modbus Converter. Connected PT1000 temperature sensors can be selected as module or ambient temperature sensors according to a customer requirement.

The measured values are transmitted to dataloggers and receiving units via the serial RS485 interface with MODBUS RTU protocol.

SEVEN products use reliable and high-quality components to provide accurate data. The Multi PT1000 Modbus Converter is specifically designed according to the requirements of environmental and industrial applications.



## Benefits and Features

- High Accuracy
- Selectable Sensor Type
- Fast & Simple to Install
- Low Power Consumption
- Free Software Update
- SEVEN Remote Setup Service
- SEVEN Customer Support
- 2 Years Warranty

## Technical Specifications

	3S-MC-M-PT1000
Measured Data	Up to 8 nos. Module or Ambient Temperature
Sensor Type	PT1000
Measuring Range	-40°C to +85°C
Accuracy	±0.1°C
Resolution	0.1°C
Output Rate	1/s
Data Output	RS485 up to 38400 Baud
Communication Protocol	Modbus RTU
Power Supply	12 to 30 V DC
Power Consumption	25 mA max @ 24 V DC
Electrical Connection	3 m LIYYC11Y PUR Cable, UV and Weather Resistant
Galvanic Isolation	1000 V Between Power Supply and RS485 Bus
Operating Temperature Range	-40°C to +85°C
Operating Humidity Range	0 to 100 %RH
Dimensions	90 x 211 x 60 mm (W x L x H)
Weight	300 gr
IP Rating	IP 67
Material	ABS
Origin	TÜRKİYE

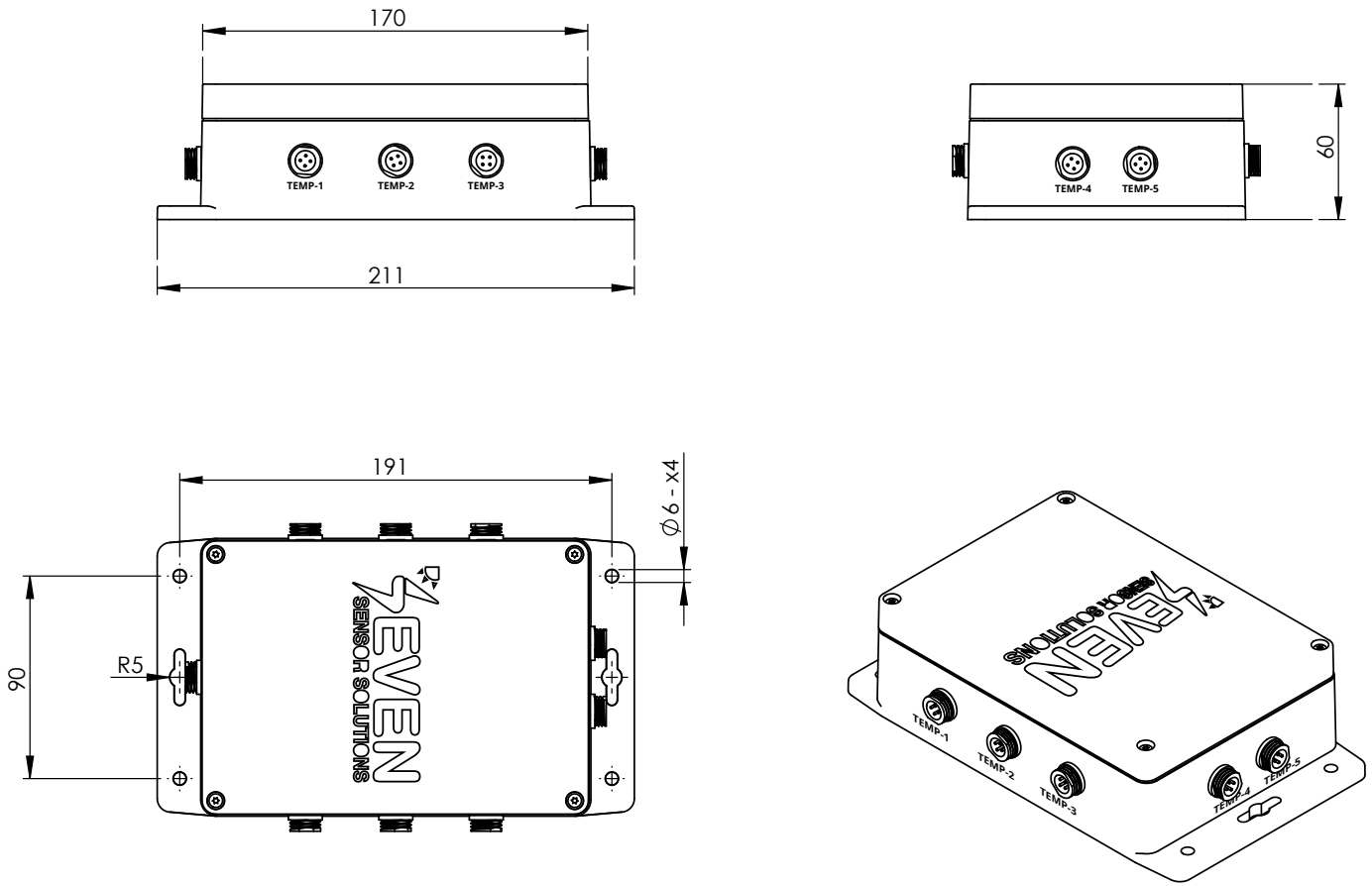
# 3S-MC-M-PT1000

Multi PT1000 Modbus Converter



## Technical Drawings

### Technical Drawings of 3S-MC-M-PT1000



**Note:** All dimensions are in mm.