

3S-AT-PT1000

Ambient Temperature Sensor



Ambient Temperature Sensor

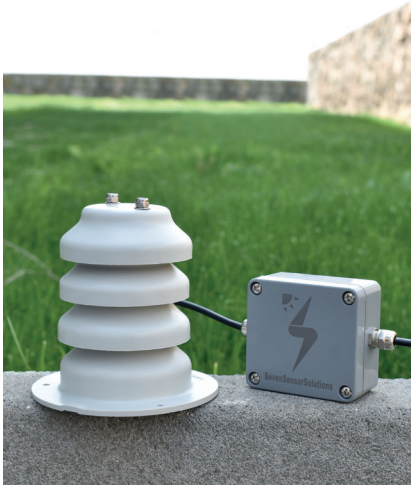
The Ambient Temperature Sensor is part of the SEVEN meteorological sensor range, which includes professional and intelligent measuring sensors with a digital or analog interface for environmental and industrial applications such as PV plants.

The temperature sensor protected by UV resistant shield which is delivered with product. It is a measuring transmitter used for the measurement of the ambient temperature.

The measured ambient temperature data are transmitted as analog or digital output signals to the data loggers and receiver units according to the input requirements.

SEVEN products use reliable and high-quality components to provide accurate meteorological information in environmental and industrial applications.

They are specially designed according to IEC 61724-1:2021 Annex B the requirements of PV plant monitoring systems.



Benefits and Features

- Protection Shield Included
- High Accuracy
- Fast & Simple to Install
- Free Software Update
- SunSpec Compliant (for Modbus RTU)
- SEVEN Remote Setup Service
- SEVEN Customer Support
- 2 Years Warranty

Models

3S-AT-PT1000

It is a measuring transmitter with PT1000 output used for the measurement of the ambient temperature. The measuring values are transmitted as ohmic resistance signals. It can be connected to SEVEN Irradiance Sensor or Sensor Box models with a 5-pin female connector with IP 67 protection class. Also, it can be connected directly to data loggers and other receiving units.



3S-AT-PT1000-I

Ambient temperature sensors with analog 4-20 mA output specially designed for advanced environmental conditions. The ambient air temperature is detected by a high precision PT1000 sensor and converted to analog 4-20 mA output with an electronic card placed in UV resistant and high protection box.



3S-AT-PT1000-MB

Professional and intelligent measuring sensors with a digital interface for environmental and industrial applications such as PV plants. The measured value can be transmitted to monitoring instruments, data loggers and other receiving units via the serial RS485 interface with MODBUS RTU protocol.



3S-AT-PT1000

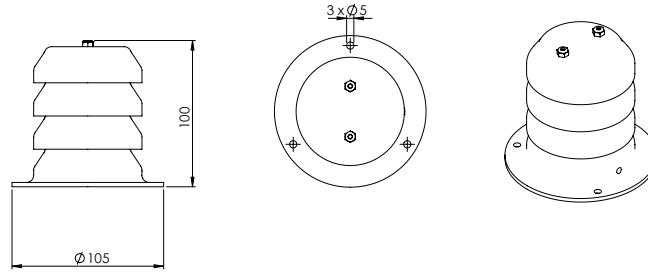
Ambient Temperature Sensor

Technical Specifications

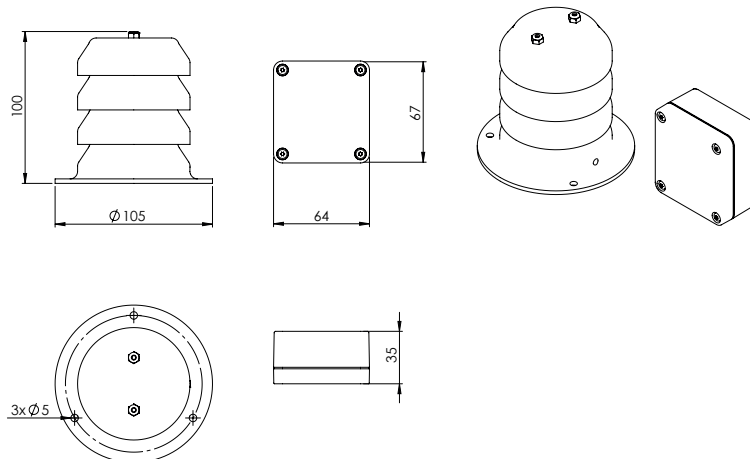
	3S-AT-PT1000	3S-AT-PT1000-MB	3S-AT-PT1000-I
Sensor Type	PT1000		
Measuring Range	-40°C to +85°C		
Accuracy	±0.1°C		
Resolution	0.1°C		
Data Output	PT1000	RS485 up to 38400 Baud	Analog 4-20 mA
Communication Protocol	-	Modbus RTU	-
Power Supply	-	12 to 30 V DC	
Power Consumption	-	15 mA @ 24 V DC	30 mA @ 24 V DC
Electrical Connection	1,5 m LIYYC11Y PUR Cable, UV and Weather Resistant	3 m LIYYC11Y PUR Cable, UV and Weather Resistant	
Operating Temperature Range	-40°C to +85°C		
Box Dimensions	-	64 x 68 x 35 mm (W x L x H)	
Shield Dimensions	Ø 105 x 100 mm		
Weight	127 gr	206 gr	
IP Rating	IP 67		
Box Material	-	ABS	
Sensor Housing Material	Stainless Steel Tube		
Shield Material	ABS		
Mounting Method	Ground Mounting		
Standard	Class A according to IEC 60751:2022		
Origin	TÜRKİYE		

Technical Drawings

Technical Drawing of 3S-AT-PT1000



Technical Drawings of 3S-AT-PT1000-I, 3S-ATPT1000-MB



Note: All dimensions are in mm.